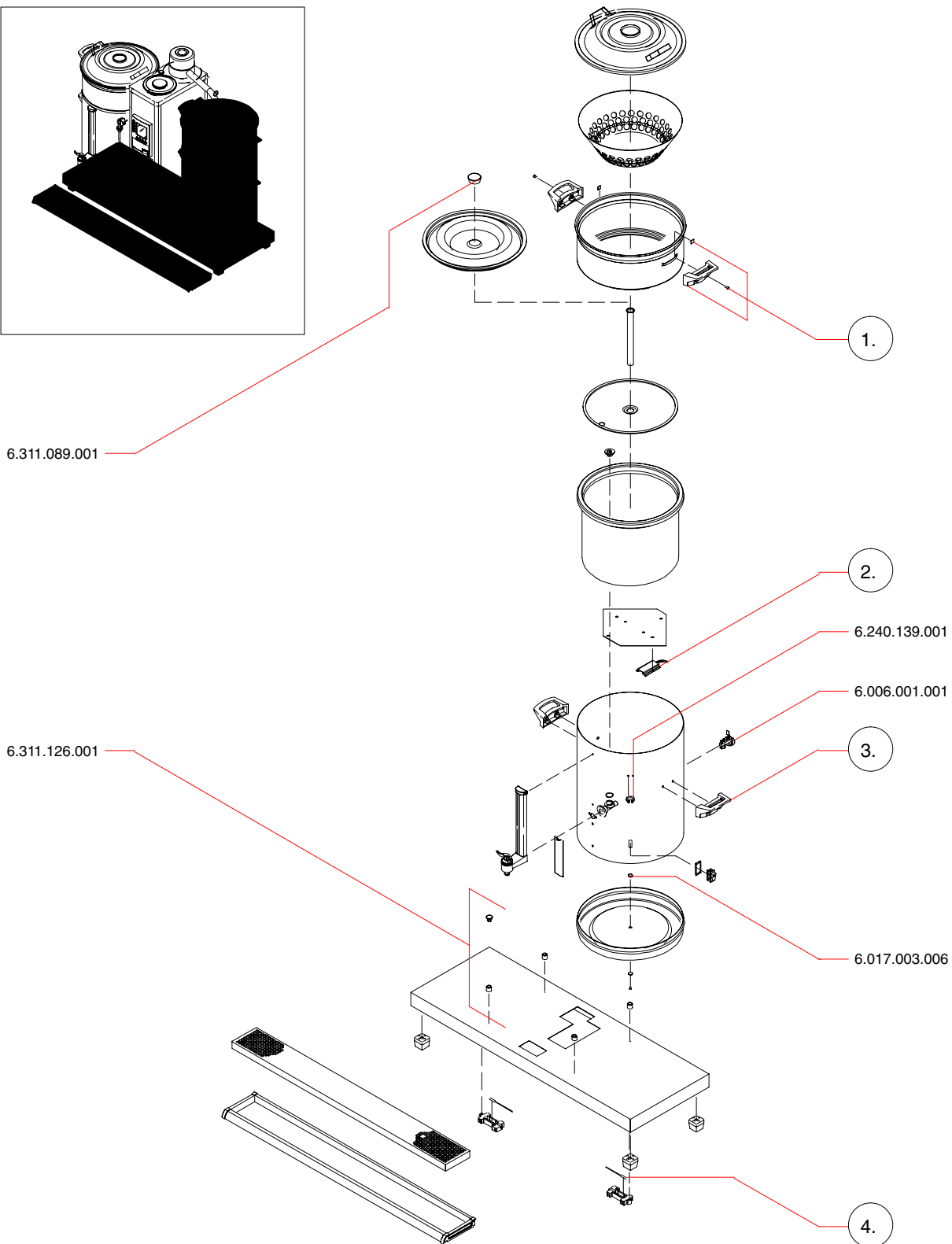
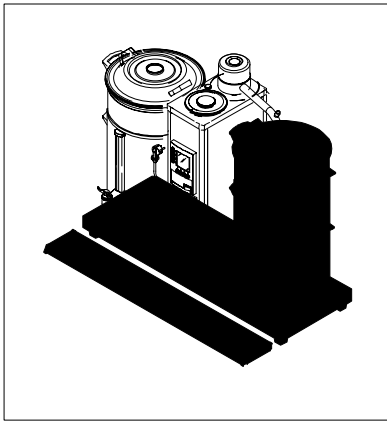


B / B HW / V(H)G (T/D) / NAK (AFTER 2000)

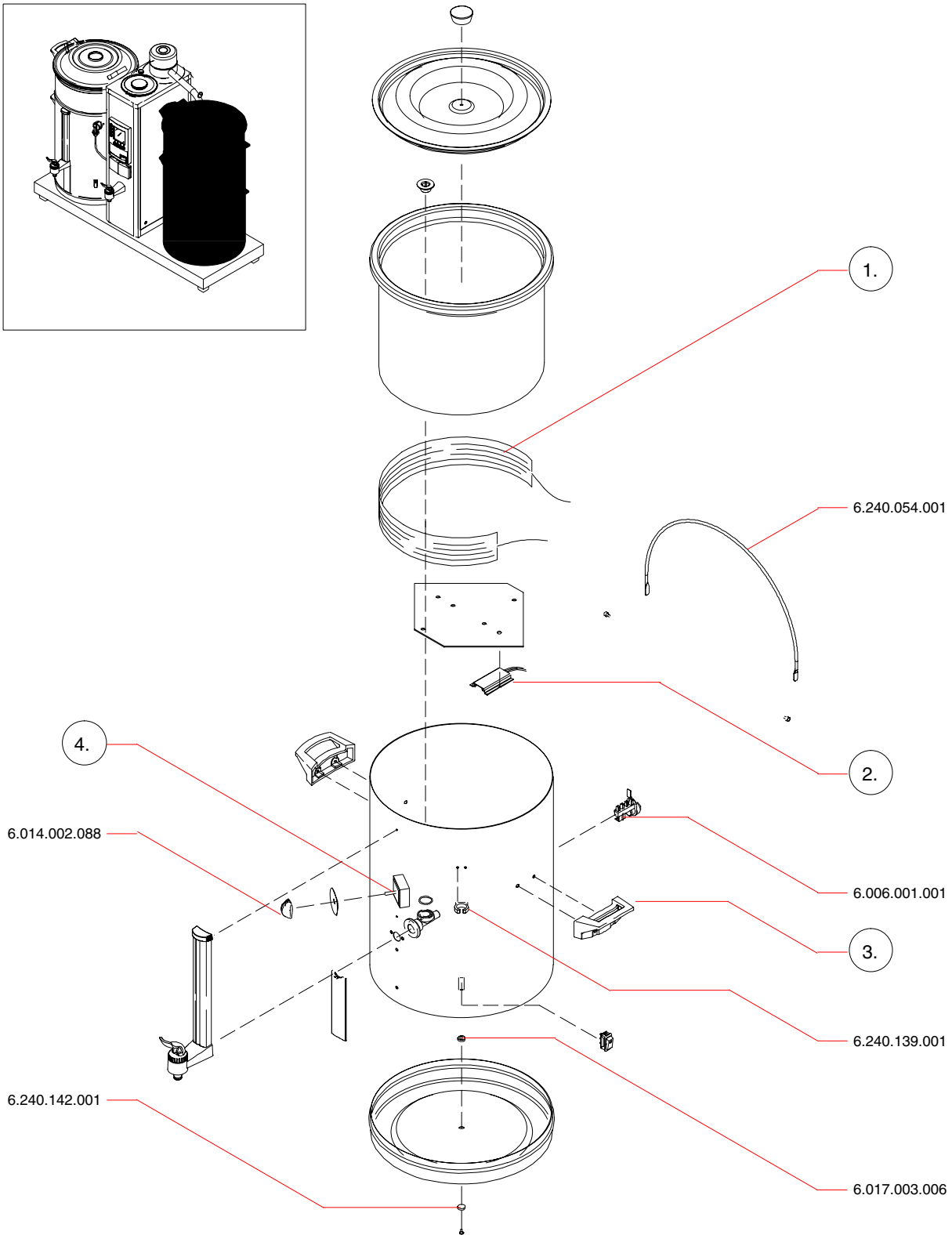
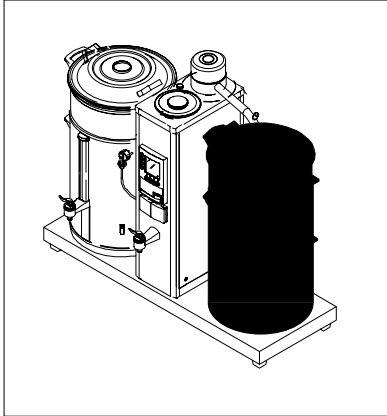


		VHG 5	VHG 10	VHG 20	VHG 40
1.	STD	6.311.094.001	6.242.198.001	6.243.233.001	6.248.133.001
2.	STD	6.240.147.000	6.242.206.000	6.243.243.000	6.248.139.000
3.	STD		6.242.198.001	6.243.233.001	6.248.133.001

		B5	B5 HW	B10	B10 HW	B20	B20 HW	B40
4.	STD	6.311.118.000	6.311.118.000	6.206.630.000	6.206.630.000	6.206.630.000	6.206.630.000	6.206.630.000

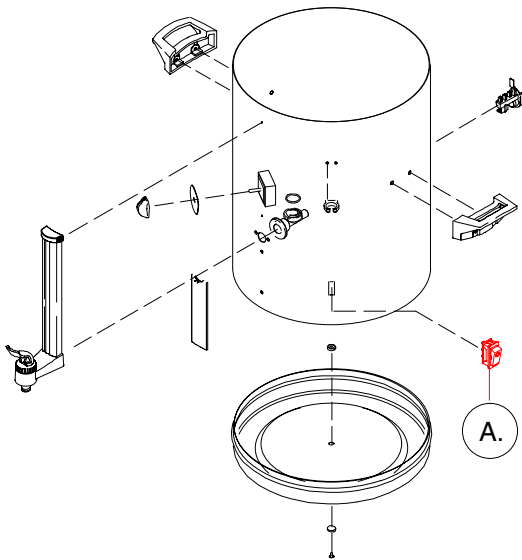
V(H)G (T/D) / NAK (AFTER 2000)

V5.0

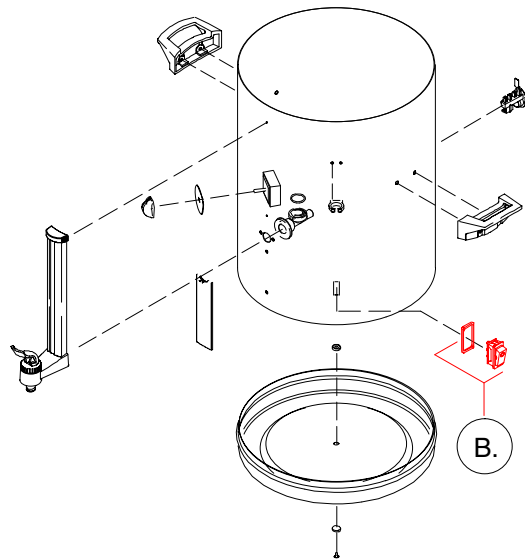


		VHG 5	VHG 10	VHG 20	VHG 40
1.	STD	6.295.010.000	6.242.043.000	6.243.042.000	
	TWN / USA	6.240.057.000	6.242.052.000	6.243.048.000	
2.	STD	6.240.147.000	6.242.206.000	6.243.243.000	6.248.139.000
3.	STD		6.242.198.001	6.243.233.001	6.248.133.001
4.	STD	6.004.005.003	6.004.005.003	6.004.005.003	
	MEX / TWN / USA	6.004.005.005	6.004.005.005	6.004.005.005	

V5.0

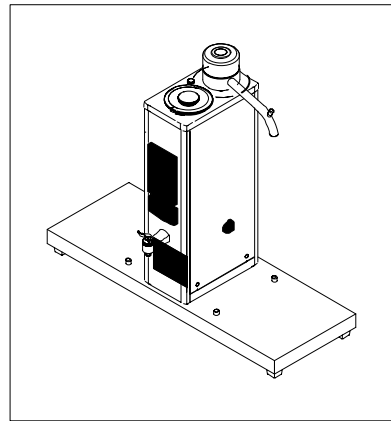


V6.0

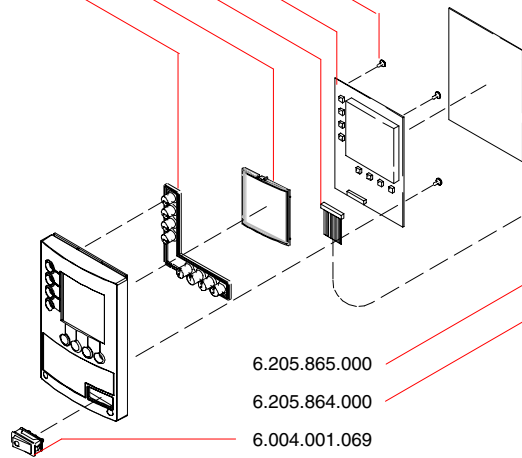


		VHG 5	VHG 10	VHG 20	VHG 40
A.	STD	6.004.001.080	6.004.001.080	6.004.001.080	6.004.001.080
	MEX / TWN	6.004.001.083	6.004.001.083	6.004.001.083	6.004.001.083
B.	STD	6.004.001.081	6.004.001.081	6.004.001.081	6.004.001.081
	MEX / TWN	6.004.001.082	6.004.001.082	6.004.001.082	6.004.001.082

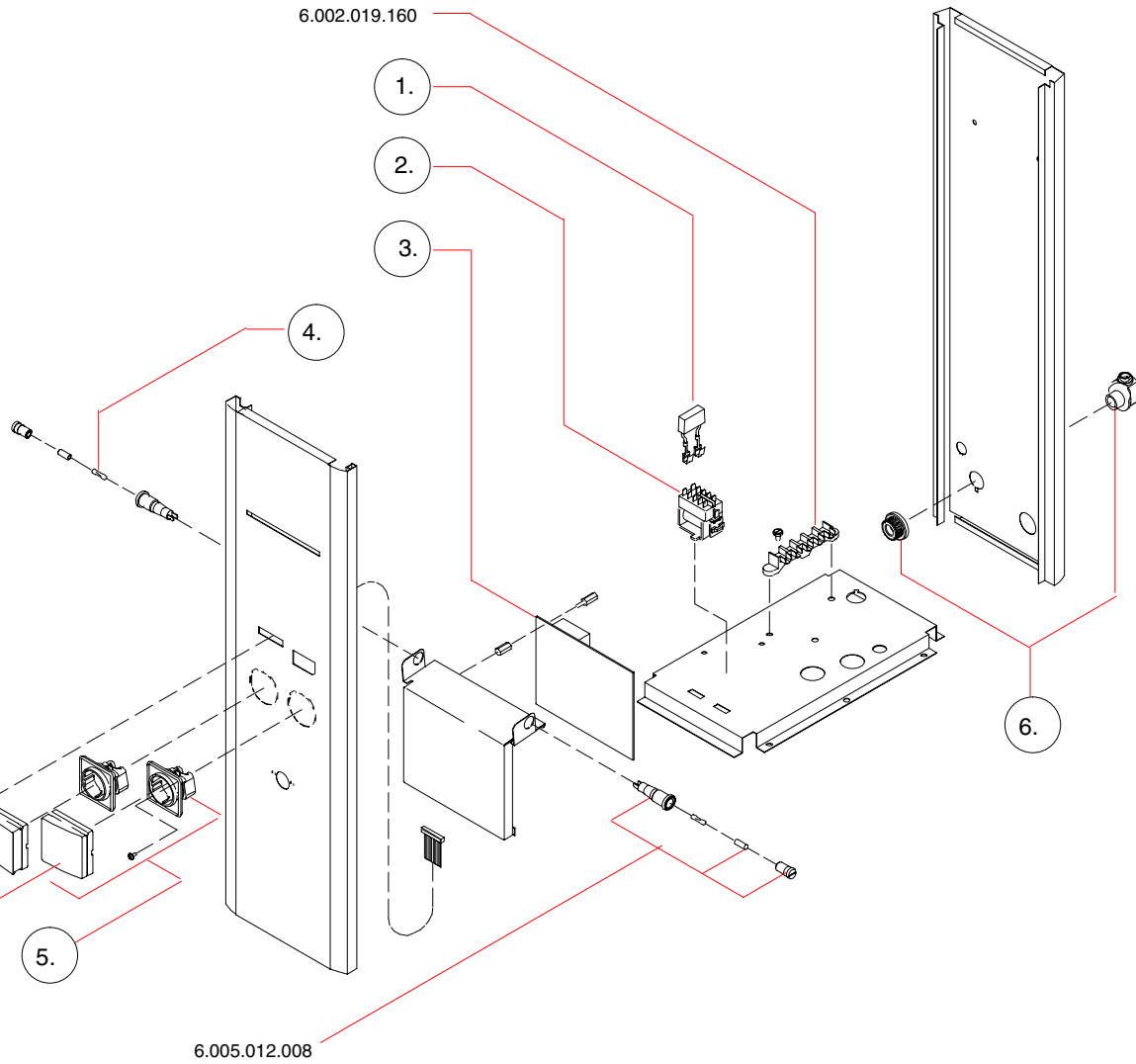
B / B HW (AFTER 2000)



6.001.134.004
6.205.861.000
6.205.919.000
6.205.860.001
6.205.862.001



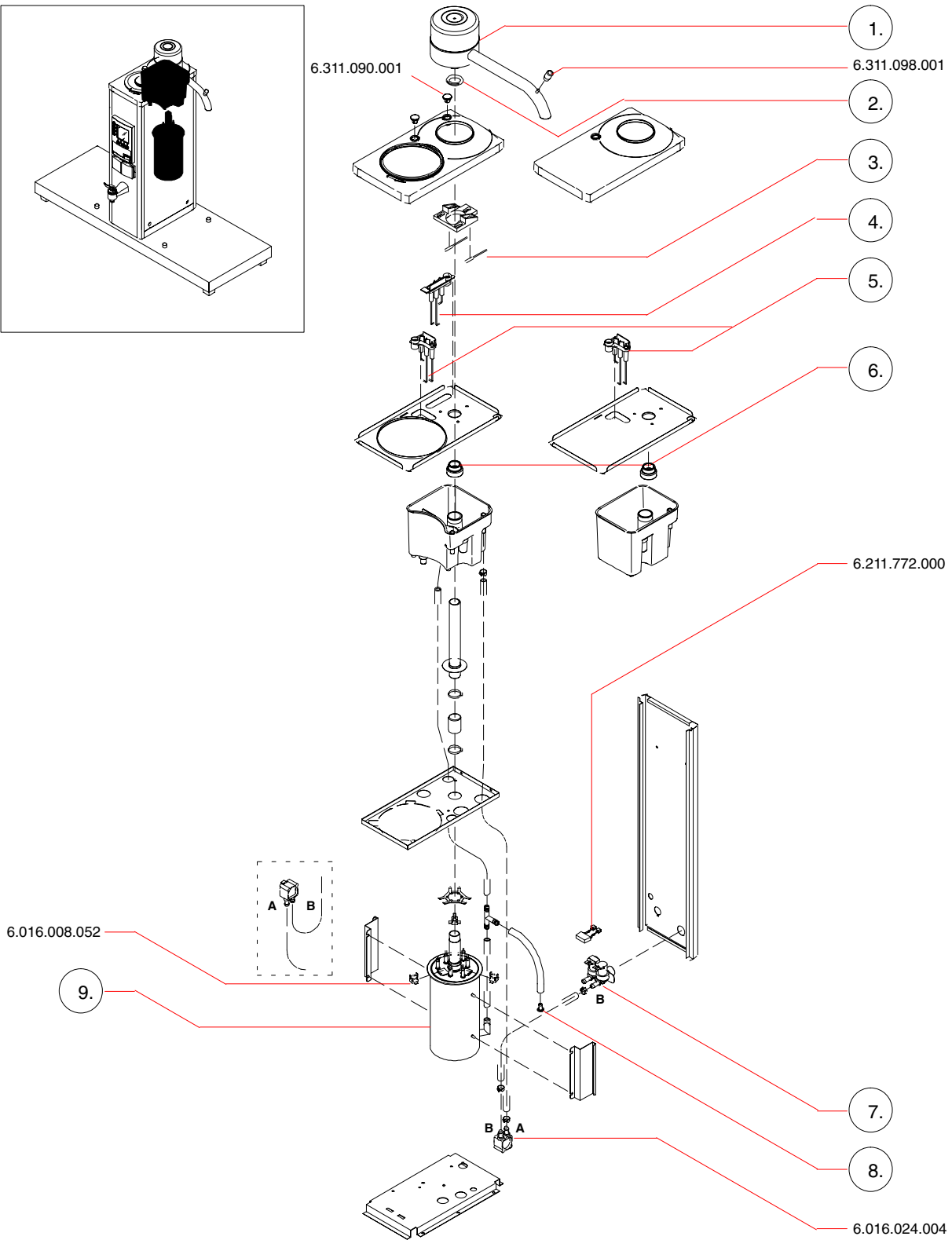
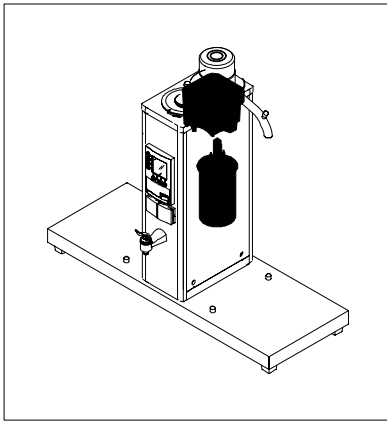
6.205.865.000
6.205.864.000
6.004.001.069





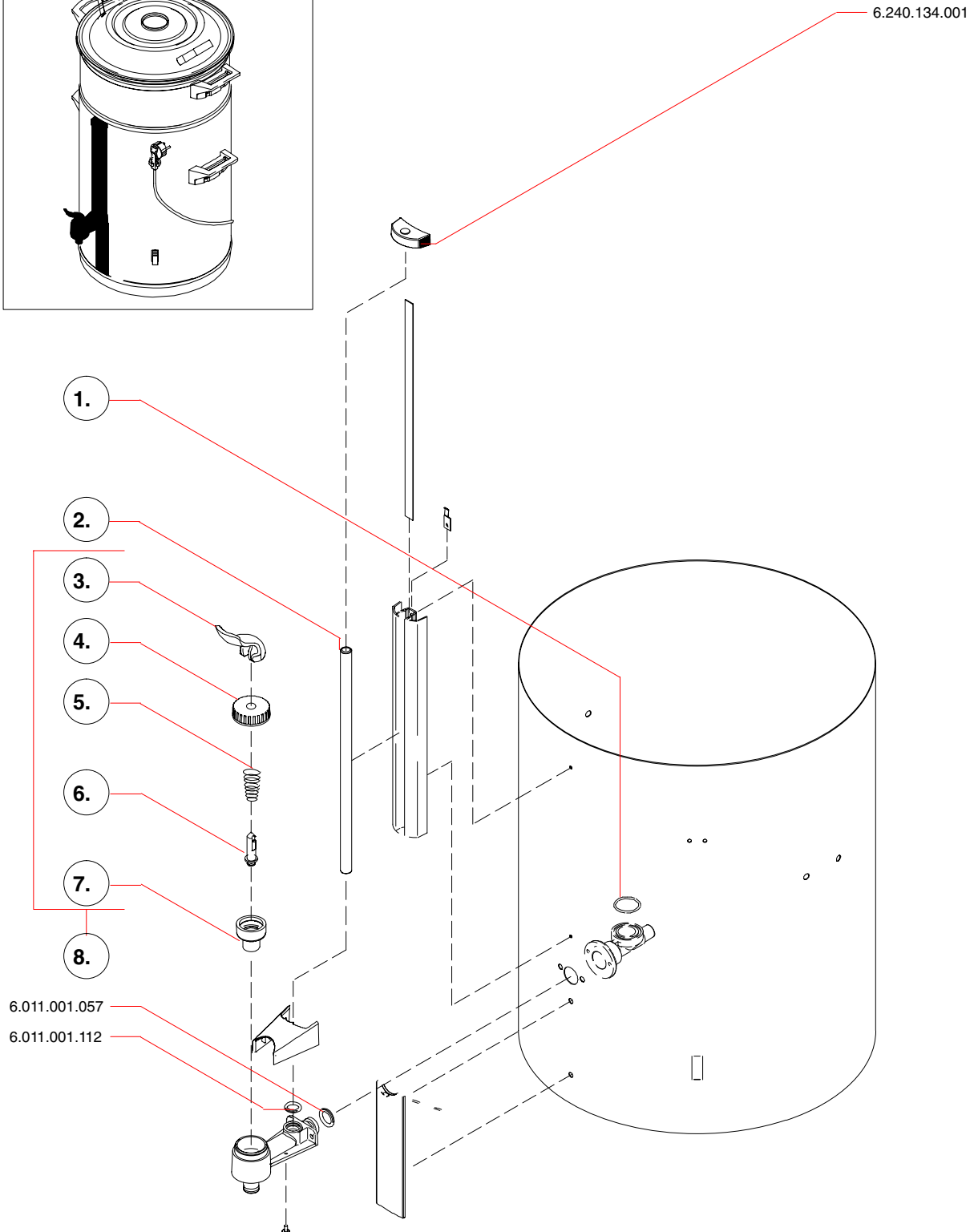
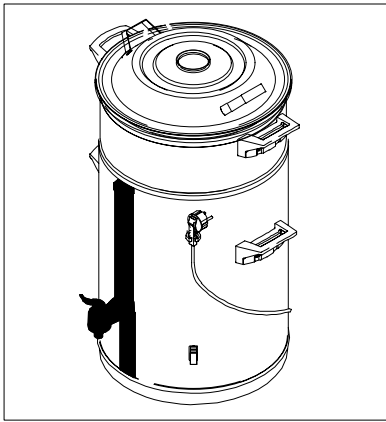
		B5	B5 HW	B10	B10 HW	B20	B20 HW	B40
1.	STD	6.211.772.000	6.211.772.000	6.211.772.000	6.211.772.000	6.211.773.000	6.211.773.000	6.211.773.000
2.	STD	6.004.002.068	6.004.002.068	6.004.002.068	6.004.002.068	6.004.008.014	6.004.008.014	6.004.008.015
	J	6.004.002.075	6.004.002.075	6.004.002.075	6.004.002.075	6.004.008.024	6.004.008.024	/
	TWN	6.004.002.074	/	6.004.002.074	/	/	/	/
3.	STD	6.205.873.000	6.205.874.000	6.205.873.000	6.205.874.000	6.205.873.000	6.205.874.000	6.205.873.000
	J	6.205.957.000	6.205.956.000	6.205.957.000	6.205.956.000	6.205.957.000	6.205.956.000	/
	TWN	6.205.955.000	/	6.205.955.000	/	/	/	/
4.	STD	6.005.011.015	6.005.011.015	6.005.011.003	6.005.011.003	6.005.011.011	6.005.011.011	6.005.011.027
5.	STD	6.006.005.100	6.006.005.100	6.006.005.100	6.006.005.100	6.006.005.100	6.006.005.100	6.006.005.100
	B / FR	6.006.005.101	6.006.005.101	6.006.005.101	6.006.005.101	6.006.005.101	6.006.005.101	6.006.005.101
	DK	6.006.005.108	6.006.005.108	6.006.005.108	6.006.005.108	6.006.005.108	6.006.005.108	6.006.005.108
	CH	6.006.005.103	6.006.005.103	6.006.005.103	6.006.005.103	6.006.005.103	6.006.005.103	6.006.005.103
	GB / IRL	6.006.005.104	6.006.005.104	6.006.005.104	6.006.005.104	6.006.005.104	6.006.005.104	6.006.005.104
	OCE / AUS / NZ	6.006.005.107	6.006.005.107	6.006.005.107	6.006.005.107	6.006.005.107	6.006.005.107	6.006.005.107
	TWN	6.006.005.105	/	6.006.005.105	/	/	/	/
6.	STD	6.006.001.009	6.006.001.009	6.006.001.009	6.006.001.009	6.006.001.002	6.006.001.002	6.006.001.039

B / B HW (AFTER 2000)



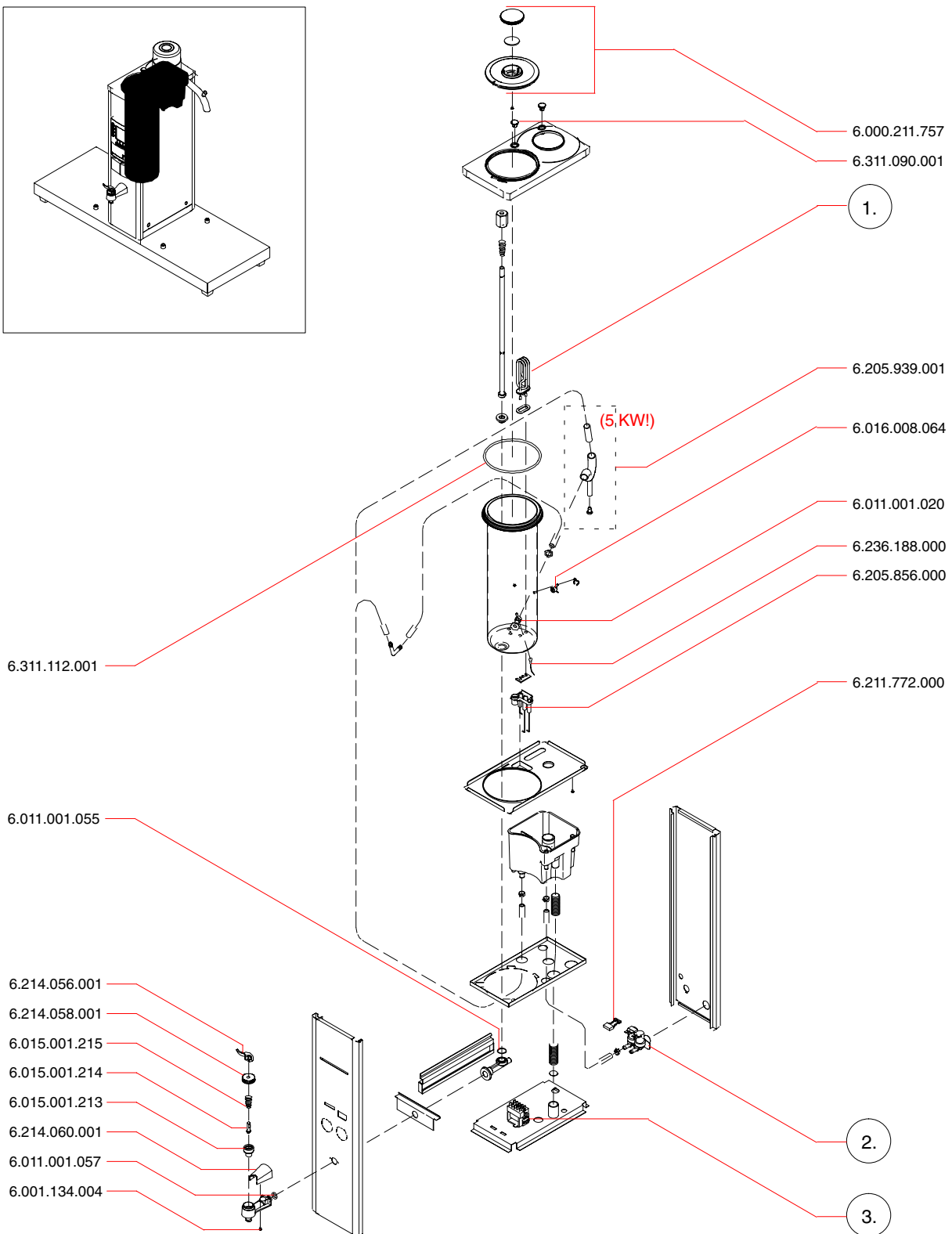
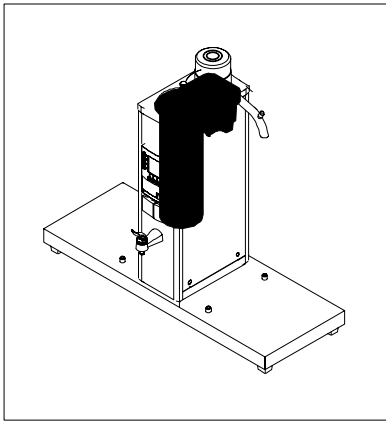
		B5	B5 HW	B10	B10 HW	B20	B20 HW	B40
1.	STD	6.311.095.000	6.311.120.000	6.205.895.000	6.311.120.000	6.206.603.000	6.206.603.000	6.247.303.000
2.	STD	6.011.001.060	6.011.001.060	6.011.001.060	6.011.001.060	6.011.001.061	6.011.001.061	6.011.001.061
3.	STD	6.205.886.000	6.205.920.000	6.205.886.000	6.205.920.000	6.206.629.000	6.206.629.000	6.247.312.000
4.	STD		6.205.856.000		6.205.856.000		6.205.856.000	
5.	STD	6.205.855.000	6.205.855.000	6.205.855.000	6.205.855.000	6.205.855.000	6.205.855.000	6.205.855.000
6.	STD	6.205.854.001	6.205.854.001	6.205.854.001	6.205.854.001	6.206.589.001	6.206.589.001	6.206.589.001
7.	STD (2)	6.016.001.017	6.016.001.026	6.016.001.017	6.016.001.026	6.016.001.017	6.016.001.026	6.016.001.078
	J	6.016.001.038	6.016.001.041	6.016.001.038	6.016.001.041	6.016.001.038	6.016.001.041	
	TWN	6.016.001.037		6.016.001.037				
	STD (5)	6.016.001.017	6.016.001.077	6.016.001.017	6.016.001.077	6.016.001.017	6.016.001.077	
8.	STD	6.006.002.018	6.006.002.018	6.006.002.018	6.006.002.018	6.006.002.014	6.006.002.014	6.006.002.014
9.	STD	6.000.211.595	6.000.211.595	6.000.205.582	6.000.205.582	6.000.206.414	6.000.206.414	6.000.247.296
	J	6.000.211.745	6.000.211.745	6.000.211.765	6.000.211.765	6.000.211.730	6.000.211.730	

V(H)G (T/D) / NAK (AFTER 2000)



		VHG 5	VHG 10	VHG 20	VHG 40
1.	STD	6.011.001.085	6.011.001.055	6.011.001.055	6.011.001.055
2.	STD	6.240.124.001	6.242.193.001	6.243.232.001	6.248.132.001
3.	STD	6.214.056.001	6.242.191.001	6.242.191.001	6.242.191.001
4.	STD	6.214.058.001	6.242.183.001	6.242.183.001	6.242.183.001
5.	STD	6.015.001.215	6.015.001.027	6.015.001.027	6.015.001.027
6.	STD	6.015.001.214	6.015.001.281	6.015.001.281	6.015.001.281
7.	STD	6.015.001.213	6.015.001.006	6.015.001.006	6.015.001.006
8.	STD	6.000.313.016	6.015.001.366	6.015.001.366	6.015.001.366

B / B HW (AFTER 2000)



		B5	B5 HW	B10	B10 HW	B20	B20 HW	B40
1.	STD		6.236.158.000		6.236.158.000		6.236.158.000	
	J		6.236.251.000		6.236.251.000		6.236.251.000	
2.	STD (2)	6.016.001.017	6.016.001.026	6.016.001.017	6.016.001.026	6.016.001.017	6.016.001.026	6.016.001.078
	J	6.016.001.038	6.016.001.041	6.016.001.038	6.016.001.041	6.016.001.038	6.016.001.041	
	TWN	6.016.001.037		6.016.001.037				
	STD (5)	6.016.001.017	6.016.001.077	6.016.001.017	6.016.001.077	6.016.001.017	6.016.001.077	
3.	STD		6.004.002.068		6.004.002.068		6.004.002.068	
	J		6.004.002.075		6.004.002.075		6.004.002.075	