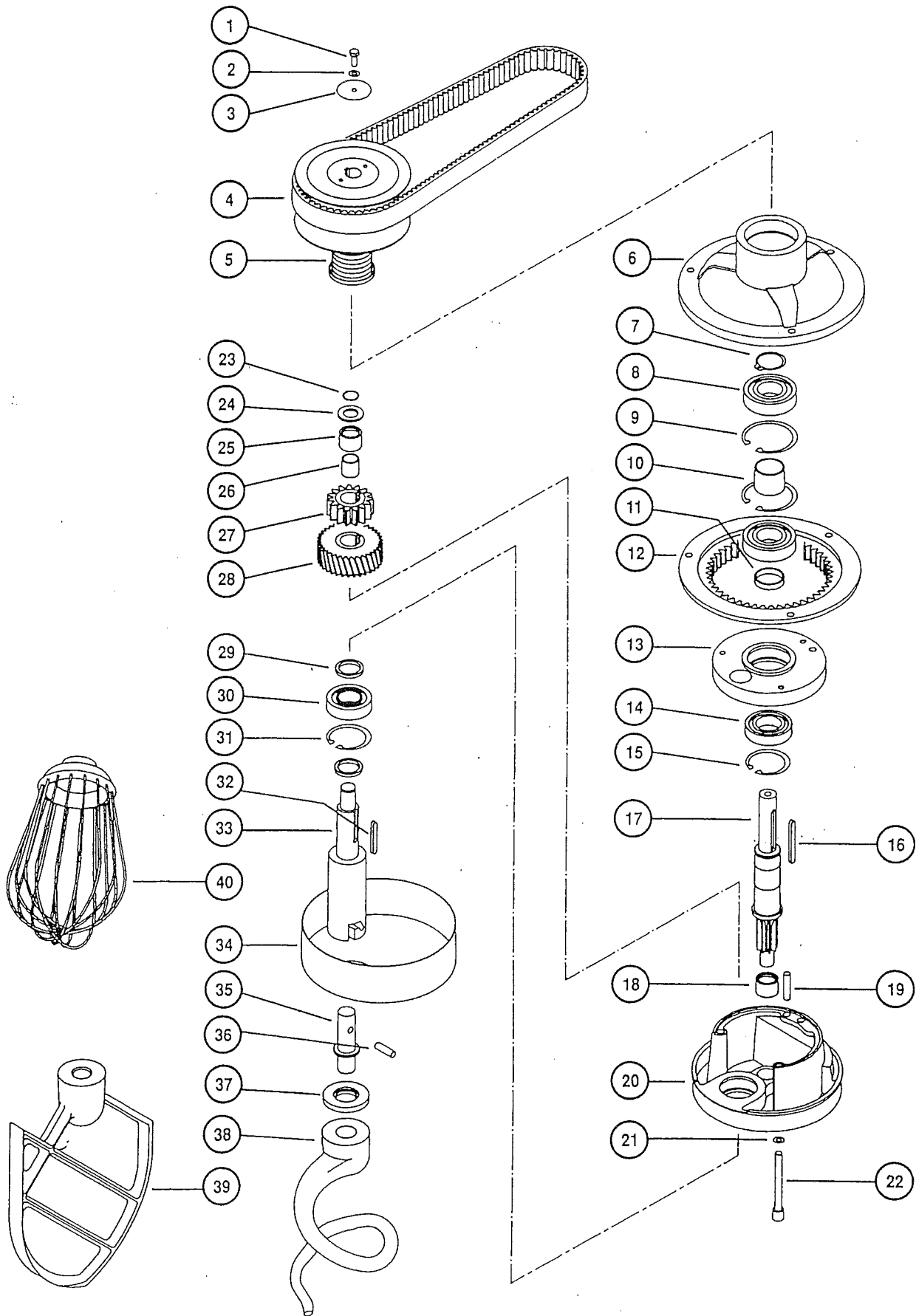


SAMMIC

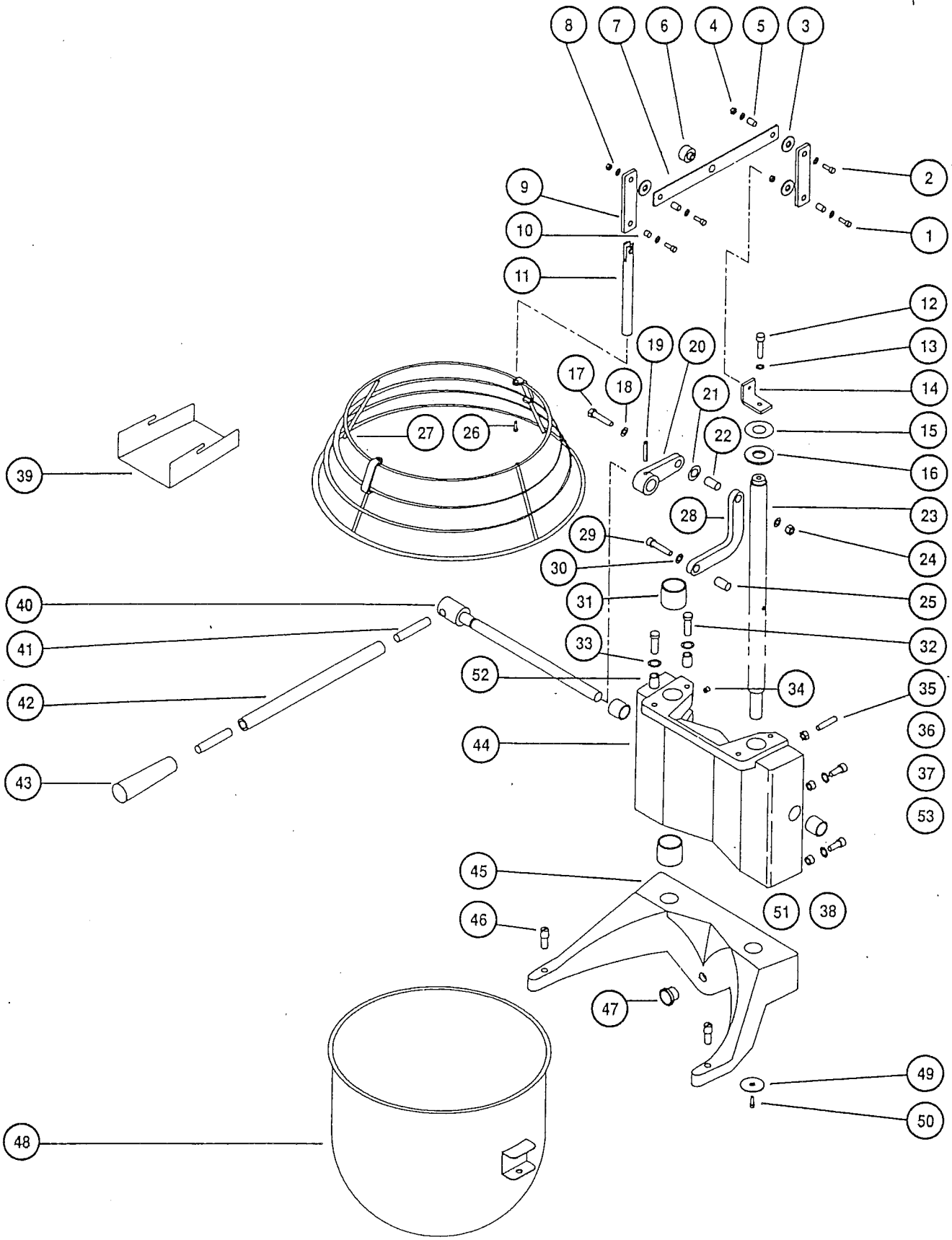
Nº	DENOMINACION	NAME	DENOMINATION	CODIGO
1	Pulsador marcha (negro)	Start push-button (black)	Bouton de marche (noir)	2502960
2	Pulsador parada (rojo)	Stop push-button (red)	Bouton d'arrêt (rouge)	2600145
3	Tapa mandos	Controls cover	Couvercle commandes	2303050
4	Tornillo DIN-7985 M4x10	Stainless steel screw DIN-7985 M4x10	Vis inox. DIN-7985 M4x10	2500460
5	Apoyo micro	Micro support	Appui microrupteur	2502580
6	Microrruptor	Microswitch	Microrupteur	2305335
7	Tornillo M3x17	Screw M3x17	Vis M3x17	2302900
8	Remache	Rivet	Rivet	2600260
9	Placa aislante			2502922
10	Rejilla de ventilación	Air cooling grid	Grille d'aération	2500762
11	Tapa acceso motor	Cover of motor access	Couvercle d'accès moteur	2503045
12	Arandela dubo de 3			2304033
13	Tapa electricidad	Electric components cover	Couvercle équip. électrique	2503055
14	Contacto B9-40-10	Contacto B9-40-10	Contacteur B9-40-10	2600124
15	Rele térmico 2.5/4A	Thermorelay 2.5/4A	Relais thermique 2.5/4A	2000720
16	Prensa estopas 13.5	Stuffing-box 13.5	Presse-étoupe 13.5	2000710
17	Tuerca M8	Nut M8	Ecrou M8	2600525
18	Arandela grower para M8	Grower washer M8	Rondelle Grower pour M8	2306166
19	Tornillo DIN-912 M8x25	Screw DIN-912 M8x25	Vis DIN-912 M8x25	2503125
20	Maneta roja	Red knob	Manette rouge	2304989
21	Tornillo DIN-963 M4x18	Screw DIN-963 M4x18	Vis DIN-963 M4x18	2503145
22	Temporizador ref. MM214	Timer ref. MM214	Temporisateur réf. MM214	2503075
23	Tapa toma-accesorios	Attachment connection cover	Couvercle prise accessoires	2503040
24	Tuerca M3 latón	Brass nut M3	Ecrou M3 laiton	2600552
25	Arandela para M3 latón	Washer M6	Rondelle por M6	2302550
26	Tornillo DIN -912 M8x30	Screw DIN-912 M8x30	Vis DIN-912 M8x30	2503130
27	Arandela grower para M8	Grower washer M8	Rondelle grower M8	2306166
28	Tuerca reguladora	Adjusting nut	Ecrou de réglage	2503160
29	Tuerca DIN-963 M16x8	Nut DIN-963 M16x8	Ecrou DIN-963 M16x8	2503155
30	Arandela para M6	Washer M6		2600525
31	Tornillo DIN-7991 M6x20	Screw DIN-7991 M6x20	Vis DIN-7991 M6x20	2503105
32	Tornillo DIN-912 M10x30	Screw DIN-912 M10x30	Vis DIN-912 M10x30	2503115
33	Arand. grower para M10	Grower washer M10	Rondelle grower pour M10	2500435
34	Perfil de goma L650	Rubber ring length 650	Profil en caoutchouc L650	2500670
35	Casq. autolubricado 12/16/15	Self-lubricated bush 12/16/15	Douille autolubrifiée 12/16/15	2305971
36	Columna	Stand	Colonne	2502615
37	Cabezal	Head	Tête de travail	2502525
38	Tapón pata	Foot stop plug	Bouchon pied	2503065
39	Pata metálica	Metalic foot	Pied métallique	2502875
40	Pata	Foot	Pied	2305006
41	Arandela para M4			2302545
42	Arand. dentada DIN-6798-A para M4			2502437
43	Tuerca M4			2300940
44	Placa de tierra			2302810
45	Arand. dentada DIN-6798-A para M6			2502438
46	Tuerca M6			2600545

INSTRUCCIONES / INSTRUCTIONS / INSTRUCTIONS BM-21



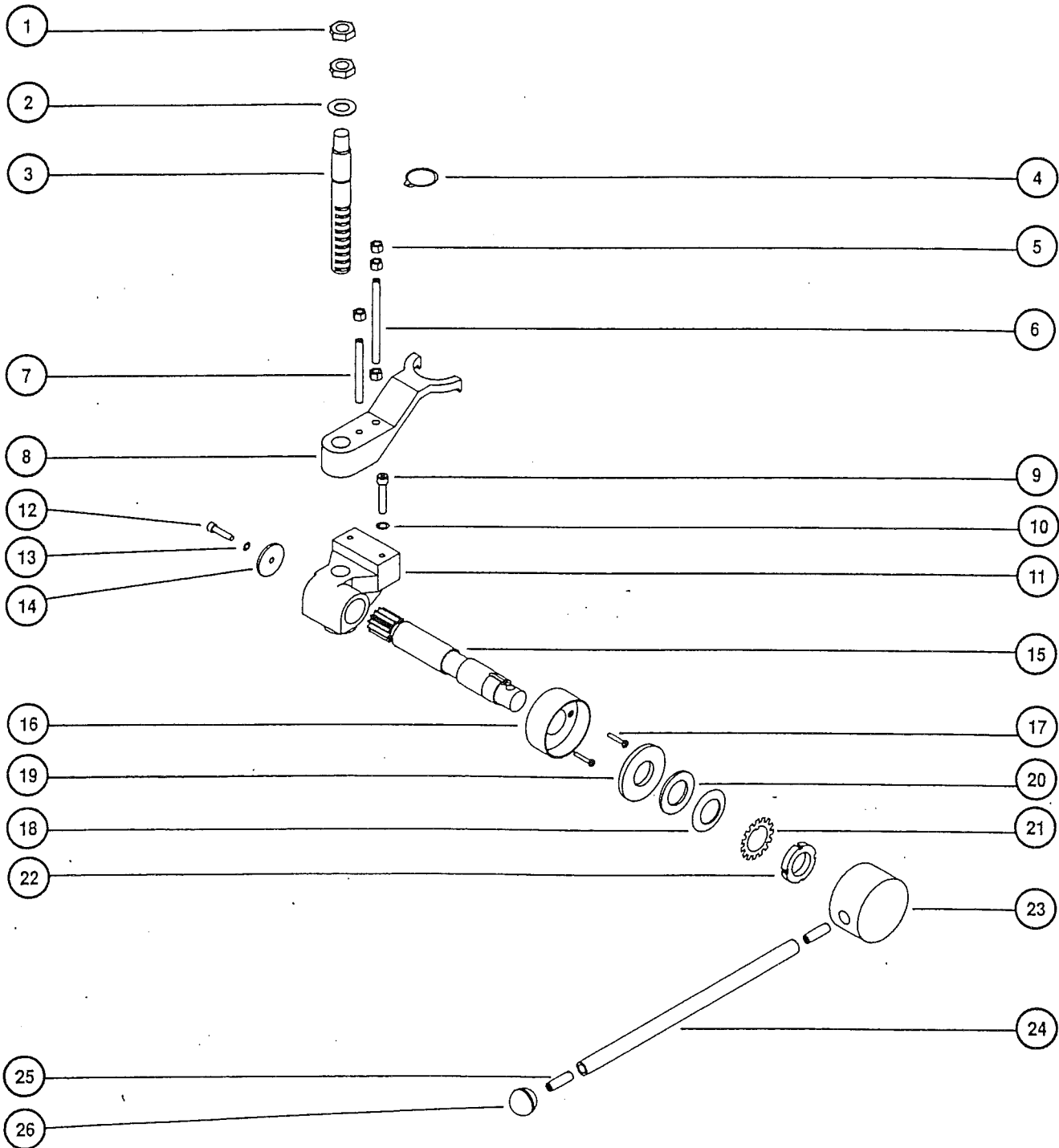
SAMMIC

Nº	DENOMINACION	NAME	DENOMINATION	CODIGO
1	Tornillo DIN-933 c/e M6x20	Hex-head screw DIN-933 M6x20	Vis DIN.933 à 6 pans M6x20	2000837
2	Arandela grower para M6	Grower washer M6	Rondelle Grower pour M6	2304824
3	Arandela tope 6.25/30/1.5	Stop washer 6.25/30/1.5	Rondelle de butée 6,25/30/1,5	4305098
4	Correa 20/6/900	Belt 20/6/900	Courroie 20/6/900	2502625
5	Polea variador receptora	Varator driven pulley	Puolie réceptrice variateur	2502940
6	Carcasa superior	Upper frame	Capot supérieur	2502535
7	Anilla elastica E-30	Circlip E-30	Anneau élastique E-30	2301530
8	Rodamiento 6206 62/30/16	Bearing 6206 62/30/16	Roulement 6206 62/30/16	2502980
9	Anilla elastica I-62	Circlip I-62	Anneau élastique I-62	2502415
10	Separador-1 rod. eje planet.	Planetary gear pin bearing distance bush 1	Entretoise -1 roulement axe planét	2503005
11	Separador-2 rod. eje planet.	Planetary gear pin bearing distance bush 2	Entretoise-2 roulement axe planét	2502995
12	Corona Z-46	Crown gear Z-46	Couronne Z-46	2502620
13	Base planetario	Planetary gear base	Base planétaire	2502485
14	Rodamiento 6006 55/30/13	Bearing 6006 55/30/13	Roulement 6006 55/30/13	2500795
15	Anilla elastica I-55	Snap ring I-55	Anneau élastique I-55	2500430
16	Chaveta 6x6x60	Key 6x6x60	Clavette 6x6x60	2502610
17	Eje planetario Z-9	Planetary gear pin Z-9	Axe planétaire Z-9	2502655
18	Rod. de agujas BK1616 22/16/16	Needle bearing BK1616 22/16/16	Roulement à aiguilles BK1616 22/16/16	2502985
19	Posicionador	Positioner	Positionneur	2502950
20	Planetario	Planetary gear housing	Planétaire	2502925
21	Arandela A.E.T. 8.4	Washer A.E.T. 8.4	Rondelle A.E.T. 8,4	2502445
22	Tornillo DIN-912 M8x80	Screw DIN-912 M8x80	Vis DIN-912 M8x80	2503140
23	Anilla elastica eje SW17	Snap ring for shaft SW17	Anneau élastique axe SW17	2502420
24	Arandela de apoyo rod.	Bearing support washer	Rondelle d'appui roulement	2502430
25	Rod. de agujas HK2016 26/20/16	Needle bearing HK2016 26/20/16	Roul. à aiguilles HK2016 26/20/16	2502990
26	Casq. pista rod. 20/17/20.5	Roller path bush 20/17/20.5	Douille chemin de roulement 20/17/20,5	2502565
27	Piñon recto Z-15	Spur pinion Z-15	Pignon droit Z-15	2502885
28	Piñon helicoidal Z-34	Helical gear Z-34	Pignon hélicoïdal Z-34	2502880
29	Aro separador	Distance ring	Bague d'écartement	2502470
30	Rodamiento 6205 52/25/15	Bearing 6205 52/25/15	Roulement 6205 52/25/15	2000130
31	Anilla elastica I-52	Circlip I-52	Anneau élastique I-52	2500425
32	Chaveta 6x6x45	Key 6x6x45	Clavette 6x6x45	2502605
33	Eje porta-util	Tool-holder spindle	Axe porte-outil	2502670
34	Embellecedor planetario	Planetary gear unit covering	Enjoliveur planétaire	2502685
35	Eje enganche	Hooking system shaft	Axe fixation	2502650
36	Pasador inox. D4-M8x24	Stainless steel pin D4 M8x24	Goujon inox D4-M8x24	2502860
37	Arandela enganche	Hooking system washer	Rondelle fixation	2502440
38	Gancho	Hook	Crochet	2500632
39	Paleta	Spatula	Palette	2502855
40	Mezclador	Whisk	Fouet	2500850



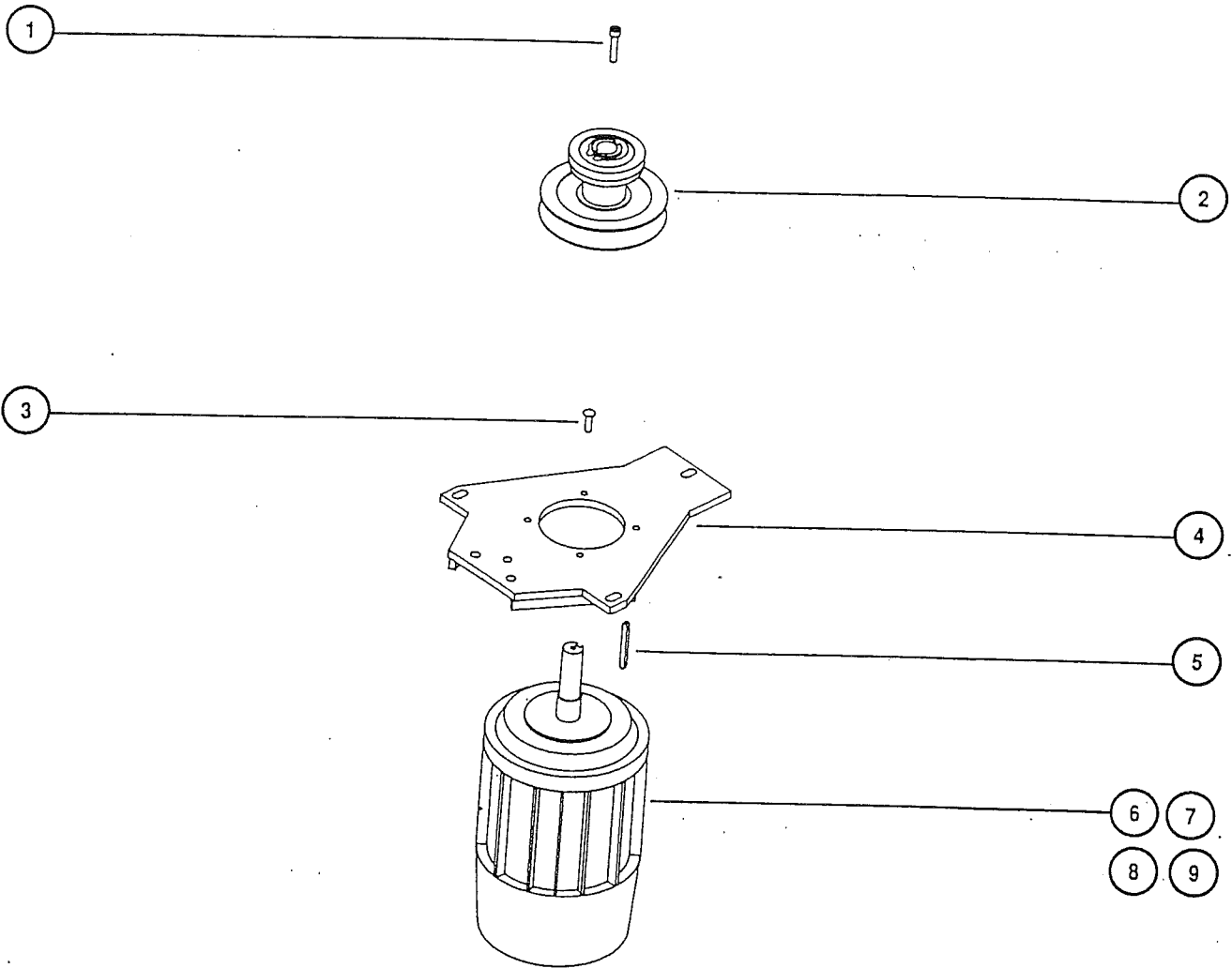
SAMMIC

Nº	DENOMINACION	NAME	DENOMINATION	CODIGO
1	Tornillo M4x25 DIN-7985	Screw DIN-7985 M4x25	Vis M4x25 DIN-7985	2600385
2	Tornillo M4x15 DIN-7985	Screw DIN-7985 M4x15	Vis M4x15 DIN-7985	2500920
3	Arandela PP 8/20/2	PP washer 8/20/2	Rondelle PP 8/20/2	2304831
4	Tuerca M4	Nut M4	Ecrou M4	2600510
5	Guía giro palancas	Lever pivot	Guidage rotation leviers	2502785
6	Guía giro elevación caldero	Bowl lifting system pivot	Guidage rotation montée cuve	2502775
7	Palanca elevación protección	Protector liftn lever	Levier montée protection	2502835
8	Arandela para M4	Washer M4	Rondelle pour M4	2302545
9	Palanca Intermedia	Intermediate lever	Levier intermédiaire	2502840
10	Guía giro protección	Protector lifting guide pivot	Guidage rotation protection	2502790
11	Guía elevación protección	Protector lifting guide	Guidage montée protection	2502765
12	Tornillo DIN-912 M6x15	Screw DIN-912 M6x15	Vis DIN-912 M6x15	2500925
13	Arandela grower para M6	Grower washer M6	Rondelle Grower pour M6	2304824
14	Enganche protección	Protector fixing bracket	Fixation protection	2502690
15	Arandela tope guías	Washer for guide stop	Rondelle butée guidages	2502450
16	Tope guías	Guide stop	Butée guidages	2503085
17	Tornillo M6x30 c/e DIN-933	Hex-head screw DIN-933 M6x30	Vis M6x30 à 6 pans DIN-933	2302865
18	Arandela para M6	Washer M6	Rondelle pour M6	2600025
19	Pasador elástico DIN-1481 5x26	Flexible pin DIN-1481 5x26	Goujon élastique DIN-1481 5x26	2502865
20	Palanca corta elev. cald.	Short bowl lifting lever	Levier court montée cuve	2502825
21	Separador palanca	Lever spacer	Entretoise levier	2503000
22	Casquillo giro palancas	Lever pivot bush	Douille rotation leviers	2502550
23	Guías elev. caldero	Bowl lifting guide	Guidages montée cuve	2502760
24	Tuerca autoblocante DIN-985 M6	Self-locking nut DIN-985 M6	Ecrou indesserrable DIN-985 M6	2305418
25	Casquillo giro palanca larga	Long lever pivot bush	Douille rotation levier long	2502545
26	Tornillo DIN-7985 M4x15	Screw DIN-7985 M4x15	Vis DIN-7985 M4x15	2500920
27	Protección caldero	Bowl protector	Protection cuve	2502955
28	Palanca larga elev. cald.	Long bowl lifting lever	Levier long montée cuve	2502845
29	Tornillo DIN-912 M6x25	Screw Din-912 M6x25	Vis DIN-912 M6x25	2500930
30	Arandela para M6	Washer M6	Rondelle pour M6	2600025
31	Casquillo 25/30/25	Bush 25/30/25	Douille 25/30/25	2502570
32	Tornillo DIN-912 M10x30	Screw DIN-912 M10x30	Vis DIN-912 M10x30	2503115
33	Arand. grower M10	Grower washer M10	Rondelle grower M10	2500435
34	Prisionero DIN-915 M6x8	Setscrew DIN-915 M6x8	Goupille filetée DIN-915 M6x8	2502727
35	Prisionero DIN-913 M6x60	Setscrew DIN-913 M6x60	Goupille filetée DIN-913 M6x60	2502720
36	Tuerca M6	Nut M6	Ecrou M6	2600520
37	Tornillo M8x20 DIN-912	Screw DIN-912 M8x20	Vis M8x20 DIN-912	2503120
38	Arandelas grower para M8	Grower washer M8	Rondelle grower pour M8	2306166
39	Cargador exterior	External loader	Alimentation extérieure	2502540
40	Eje elev. caldero	Bowl lifting shaft	Axe montée cuve	2502645
41	Prisionero M10x35 DIN-913	Setscrew DIN-913 M10x35	Goupille filetée M10x35 DIN-913	2502705
42	Palanca elevación caldero	Bowl lifting lever	Levier montée cuve	2502830
43	Mango 1144 28 101	Handle 1144 28 101	Manche 1144 28 101	2502810
44	Soporte guías elevación	Lifting guides support	Support guidages montée	2503025
45	Soporte caldero	Bowl support	Support cuve	2503020
46	Guía caldero	Bowl guide	Guidage cuve	2502745
47	Guía trasero caldero	Bowl-rear guide	Guidage arrière cuve	2502795
48	Caldero	Bowl	Cuve	1500085
49	Arandela plana 6.25/20/3	Flat washer 6.25/20/3	Rondelle plate 6,25/20/3	2600040
50	Tornillo m6x25 DIN-912	Screw DIN-912 M6x25	Vis M6x25 DIN-912	2500930
51	Casquillo 16/20/15 al.	Al. bush 16/20/15	Douille 16/20/15 al.	2502577
52	Casq. D/R M10/M15/15 al.	Al. bush D/R M10/M15/15	Douille D/R M10/M15/15 al.	2500530
53	Casq. D/R M8/M12/15 al.	Al. bush D/R M8/M12/15	Douille D/R M8/M12/15 al.	2010020



SAMMIC

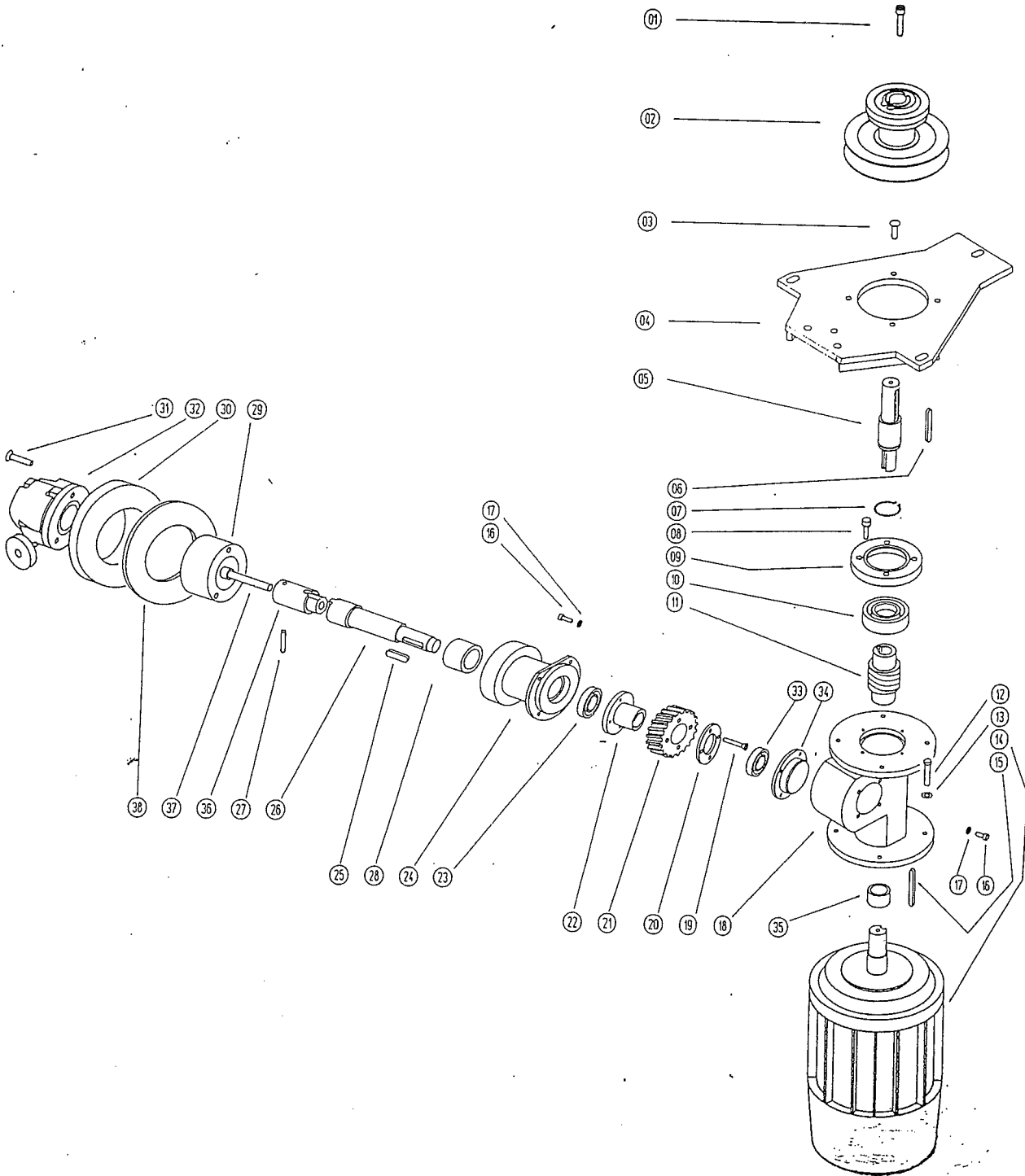
Nº	DENOMINACION	NAME	DENOMINATION	CODIGO
1	Tuerca M16x8 DIN-936	Nut DIN-936 M16x8	Ecrou M16x8 DIN-936	2503155
2	Arandela para M16 DIN-125	Washer DIN-125 for M16 nut	Rondelle pour M16 DIN-125	2502435
3	Cremallera	Rack	Crémaillère	2502630
4	Anilla elastica E-20	Circlip E-20	Anneau élastique E-20	2500415
5	Tuerca M8	Nut M8	Ecrou M8	2500525
6	Tope variador v-baja	Low speed variator stop	Butée variateur patlle vit.	2503090
7	Prisionero M8x80 DIN-913	Setscrew DIN-913 M8x80	Goupille fileté M8x80 DIN-913	2502725
8	Regulador	Regulator	Régulateur	2502967
9	Tornillo M8x40 DIN-912	Screw DIN-912 M8x80	Vis M8x40 DIN-912	2503135
10	Arandela grower para M8	Grower washer M8	Rondelle Grower pour M8	2306166
11	Soporte cremallera	Rack support	Support crémaillère	2503015
12	Tornillo M8x20 DIN-912	Screw DIN-912 M8x20	Vis M8x20 DIN-912	2503120
13	Arandela grower para M8	Grower washer M8	Rondelle Grower pour M8	2306166
14	Tope eje variador	Variator shaft stop	Butée axe variateur	2503092
15	Eje variador Z-13	Variator shaft Z-13	Axe variateur Z-13	2502680
16	Gula dial	Dial guide	Guidage cadran	2502750
17	Tornillo M4x16 DIN-7985	Screw DIN-7985 M4x16	Vis M4x16 DIN-7985	2500920
18	Arandela freno	Brake washer	Rondelle frein	2502442
19	Ferodo	Ferodo	Ferodo	2502730
20	Arandela de platillo	Disk washer	Rondelle plate	2502447
21	Arandela MB6	Washer MB6	Rondelle MB6	2500440
22	Tuerca KM6	Nut KM6	Ecrou KM6	2500980
23	Dial	Dial	Cadran	2502640
24	Palanca variador	Variator lever	Levier variateur	2302830
25	Prisionero M10x35 DIN-913	Setscrew DIN-913 M10x35	Goupille fileté M10x35 DIN	2502705
26	Esfera con casquillo R-M10	Ball with bush R-M10	Cadran avec douille R-M10	2502490

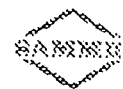


SAMMIC



Nº	DENOMINACION	NAME	DENOMINATION	CODIGO
1	Tornillo DIN-913 M6x25	Screw DIN-913 M6x25	Vis DIN-913 M6x25	2500930
2	Polea variador motriz	Variator driving pulley	Poulie motrice variateur	2502945
3	Torn. M6x20 Din-7991	Screw DIN-7991 M6x20	Vis M6x20 DIN-7991	2503105
4	Soporte motor	Motor support	Support moteur	2503030
5	Chaveta 6x6x55	Key 6x6x55	Clavette 6x6x55	2502600
6	Motor 1cv II Hz60	1 HP III motor, II Hz60	Moteur 1cv II Hz60	2502818
7	Motor 1cv III Hz60	1 HP II motor, III Hz60	Moteur 1 cv IIIHz60	2502816
8	Motor 1 cv II Hz50	1HP motor, II Hz50	Moteur 1 cv II Hz50	2502817
9	Motor 1 cv III Hz50	1Hp motor, III Hz50	Moteur 1 cv III Hz50	2502815





Nº	DENOMINACION	NAME	DENOMINATION	CODIGO
1	Tornillo DIN-912 M6x25	Screw DIN-912 M6x25	Vis DIN-912 M8x25	0250930
2	Polea variador motriz	Variator driving pulley	Poulie motrice variateur	2502945
3	Torn. M6x20 DIN-7991	Screw DIN-7991 M6x20	Vis M6x20 DIN-7991	2503105
4	Soporte motor	Motor support	Support moteur	2503030
5	Eje polea motor T-AC	Att. Conn. motor pulley shaft	Axe poulie moteur T-AC	2502665
6	Chaveta 6x6x45	Key 6x6x45	Clavette 6x6x45	2502605
7	Anilla elastica E-25	Circlip E-25	Anneau elastique E-25	2502410
8	Tornillo M6x20 DIN-7991	Screw DIN-7991 M6x20	Vis M6x20 DIN-7991	2503105
9	Fijación rodamiento	Bearing support	Fixation roulement	2502735
10	Rodamiento 6205 2NSL	Bearing 6205 2NSL	Roulement 6205 2NSL	2000130
11	Sin-fin toma ac.	Attachment connection worm screw	Vis sans fin prise accessoires	2503010
12	Tornillo c/e M6x30 DIN-933	Hex-head screw DIN-933 M6x30	Vis à six pans M6x30 DIN-933	2302865
13	Arandela grower para M4	Grower washer M4	Rondelle Grower pour M4	2305302
14	Chaveta 6x6x60	Key 6x6x60	Clavette 6x6x60	2502610
15	Motor 1cv II Hz60	1 HP motor, II Hz60	Moteur 1cv II Hz60	2502818
15	Motor 1 cv III Hz60	1 HP motor, III Hz60	Moteur 1 cv III Hz60	2502816
15	Motor 1 cv II Hz50	1 HP motor, II Hz50	Moteur 1 cv II Hz50	2502817
15	Motor 1 cv III Hz50	1 HP motor, III Hz50	Moteur 1 cv III Hz50	2502815
16	Tornillo M4x10 DIN-912	Screw DIN-912 M4x10	Vis M4x10 DIN-912	2503150
17	Arandela grower para M4	Grower washer M4	Rondelle Grower pour M4	2505302
18	Cuerpo reductora	Reducer body	Corps réducteur	2502635
19	Tornillo DIN-7991 M4x30	Screw DIN-7991 M4x30	Vis Din-7991 M4x30	2503100
20	Aro guía	Guiding ring	Anneau de guidage	2502465
21	Engrane Z-31	Gear Z-31	Engrenage Z-31 - 2502695	2502695
22	Guía engrane	Gear guide	Guidage engrane	2502770
23	Rodamiento 16003	Bearing 16003	Roulement 16003	2502970
24	Guía eje	Shaft guide	Guidage axe	2502755
25	Chaveta 6x6x32	Key 6x6x32	Clavette 6x6x32	2502595
26	Eje toma-acce.	Attachment connection shaft	Axe prise accessoires	2502675
27	Pasador D-1 5x30	Pin D-1 5x30	Goujon D-1 5x30	2600190
28	Casquillo sint. 25/35/25	Synthetic bush 25/35/25	Douille synt. 25/35/25	2502575
29	Suplemento tapa	Cover insert	Entretoise couvercle	2503035
30	Aro tapa	Cover ring	Anneau couvercle	2502475
31	Tornillo DIN-7991 M6x50	Screw DIN-7991 M6x50	Vis DIN-7991 M6x50	2503110
32	Conjunto toma-acces.	Attachment connection assembly	Ensemble prise accessoires	2503010
33	Rodamiento 16002	Bearing 16002	Roulement 16002	2502965
34	Tapa sop. rodamiento	Bearing support cover	Couvercle support roulement	2503060
35	Suplemento eje motor T.A.			2503038
36	Alargador T.A.			2502408
37	Tornillo DIN-912 M8x60			2503137
38	Junta T.A.			2502800